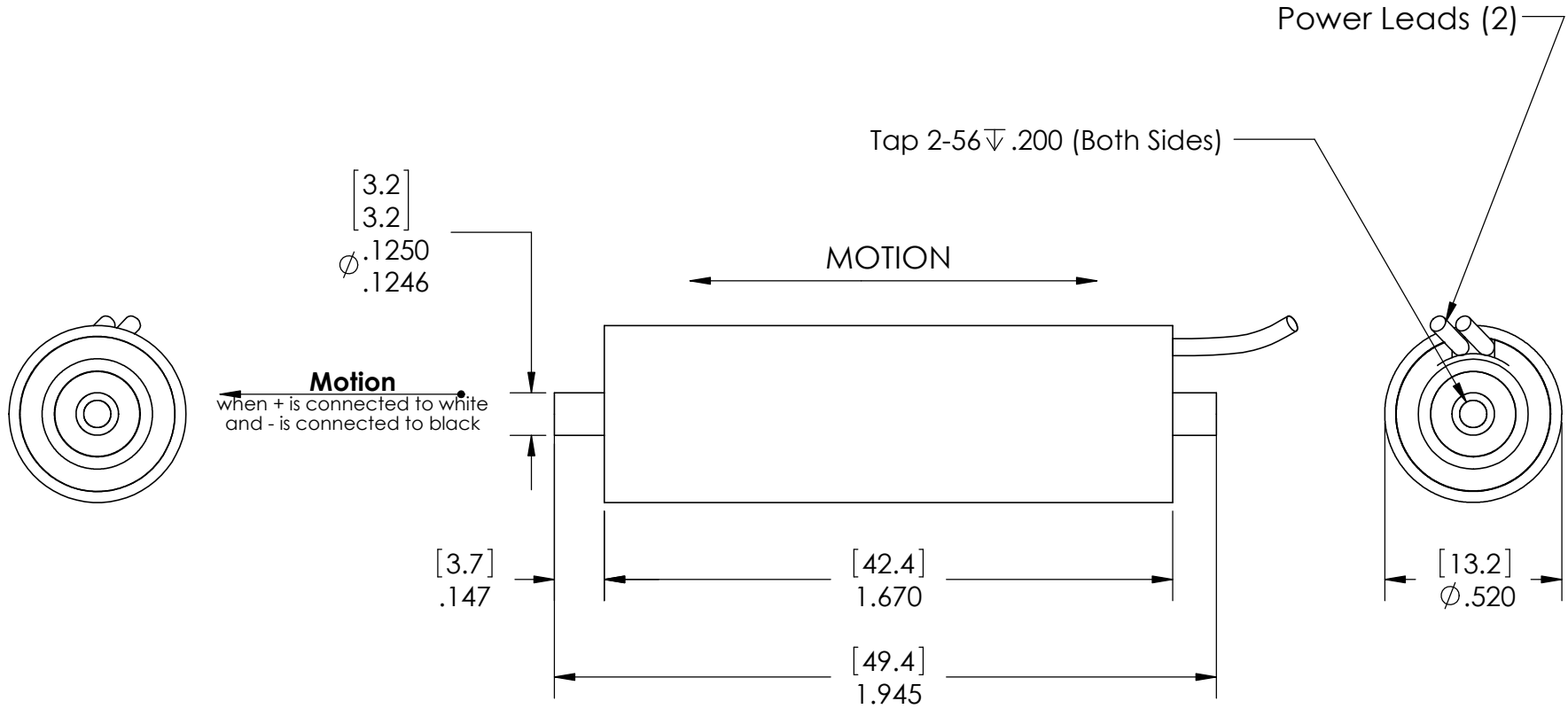
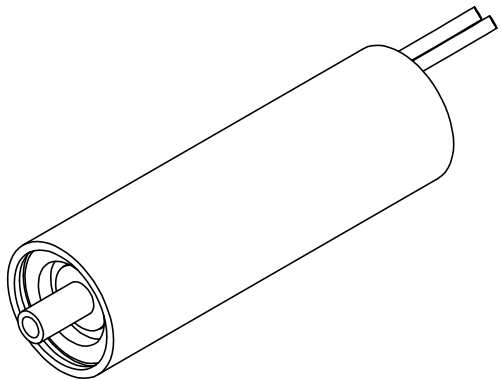


These drawings and specifications are the property of H2W Technologies, Inc. They are issued in confidence and shall not be reproduced, copied, or used without written permission from H2W Technologies, Inc.



SHOWN AT MIDSTROKE



H2W Technologies, Inc.
 28310-C Ave Crocker Valencia, CA 91355 USA
 Tel: (661)-702-9346 Fax: (661)-702-9348
 www.h2wtech.com

UNLESS SPECIFIED OTHERWISE: All dimensions are in inches Standard Tolerances are as follows .XXX ±.005 ANGLES ±1° .XX ±.010 FILLETS AND X ±.020 CORNERS .010 Remove All Burrs and Sharp Edges				MATERIAL				TITLE		
				FINISH				NCM02-05-005-4JB		
DRAWN	DATE	APPROVED	DATE	DWG #	REV	ECN				
OOG	2-25-02	FGW	2-25-02	30-0097	B	1317				

MOVING MAGNET NON-COMM ACTUATOR SPECIFICATIONS		
Motor P/N	NCM02-05-005-4JB	
Stroke	0.15"	3.8 mm
Radial Clearance	N/A in	N/A mm
Bearing Type	Jeweled Bushings	
Moving Mass	0.03 lbs	12 grams
Total Mass	0.11 lbs	49 grams
Resistance @ 20C	3.5 ohms	
Inductance @ 20C	0.25 mH	
Electrical Time Constant	0.07 msec	
Motor Constant	0.38 LBS/SQRT(Watt)	1.69 N/SQRT(Watt)
Force Constant	0.72 LBS/Amp	3.2 N/Amp
Back EMF	0.08 V/ips	3.2 V/m/sec
Continuous Force	0.5 LBS	2.2 N
Max Power @ 100% Duty	2 Watts	
Peak Force	1.5 LBS	6.7 N
Max Power @ 10% Duty	16 Watts	

TITLE	Non-Commutated DC Linear Actuator Model#NCM02-05-005-4JB	
DWG #	30-0097	REV B
		SHEET 2 of 2